

SAMSUNG

COLOR MONITOR

SyncMaster 17GLi (CMG7377L)
CMG7387L

PARTS CODE NO.
SM-CMG7377L

QTY. 1 D06H1/3

SAMTRON

SC 728FXL

*Dell
737*

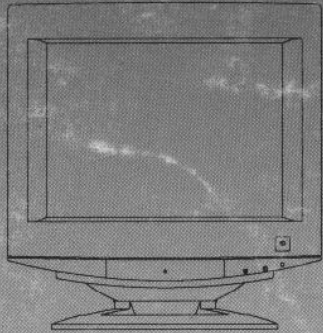
AST 7L

SERVICE Manual

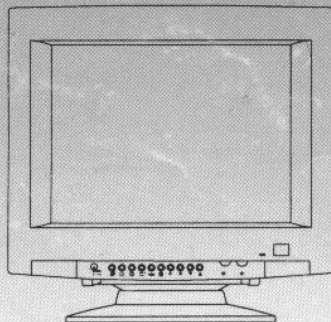
*HP 2818A
ULTRA VGA 1280*

COLOR MONITOR

SyncMaster 17GLi

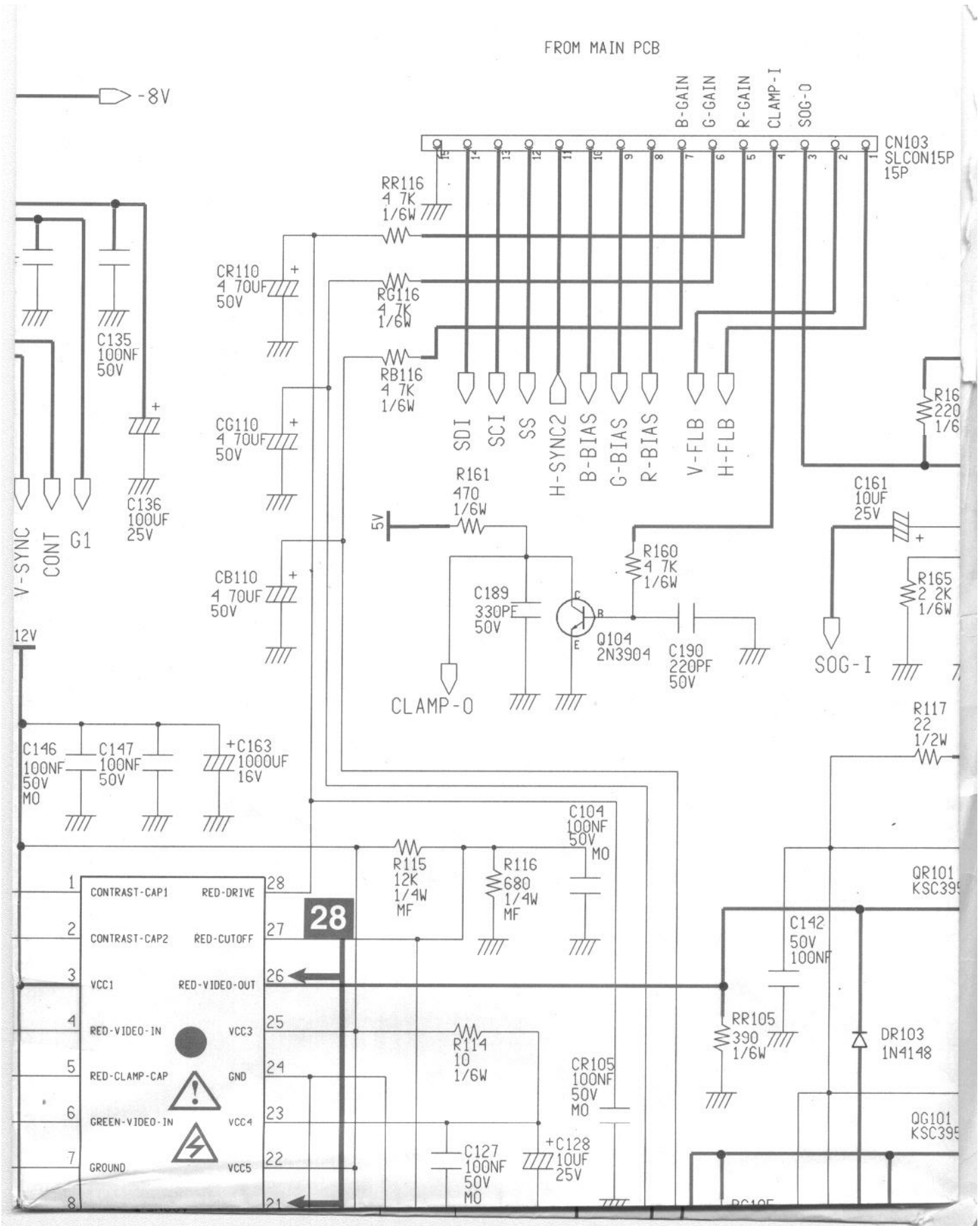


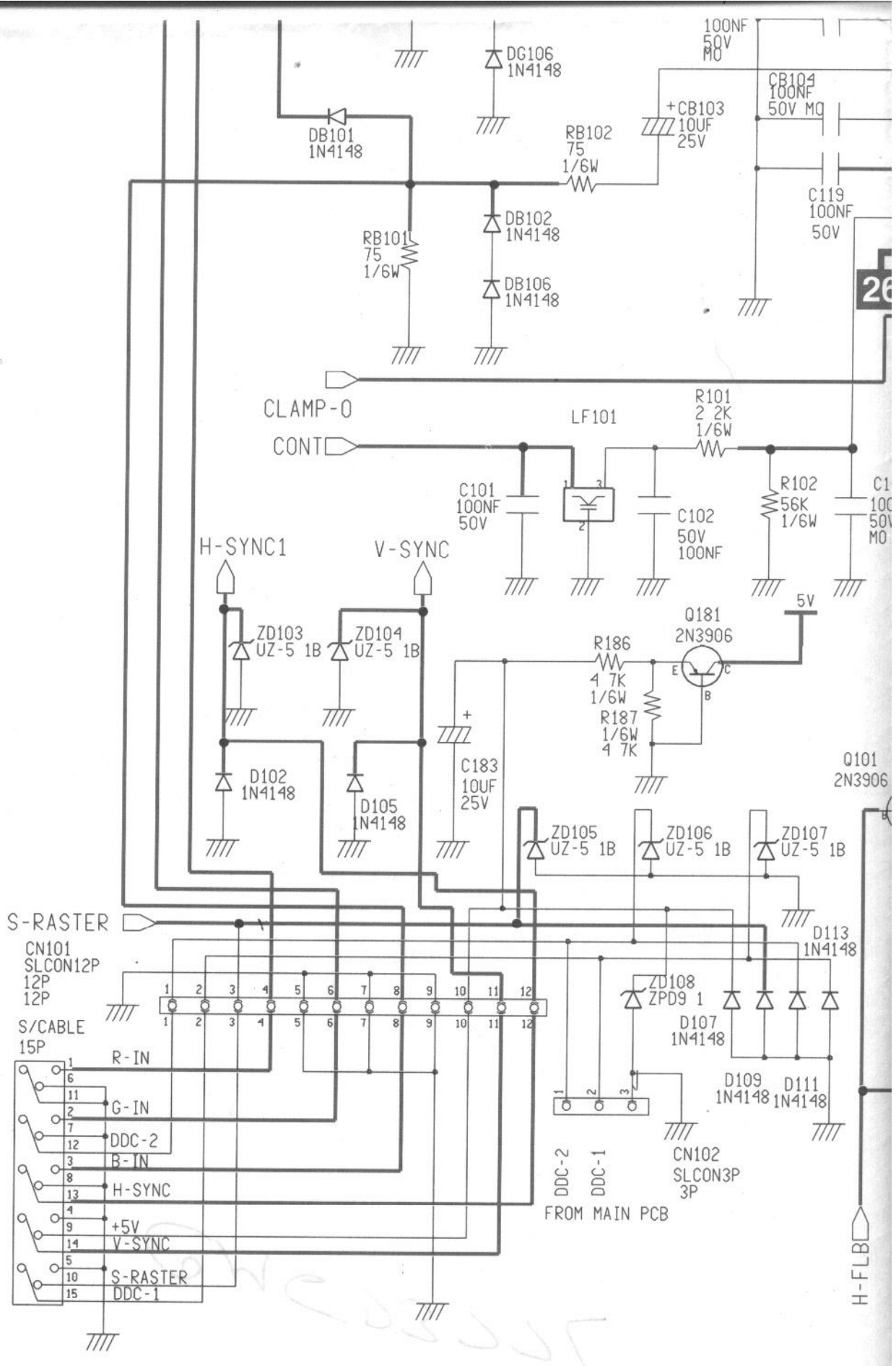
CMG7387L

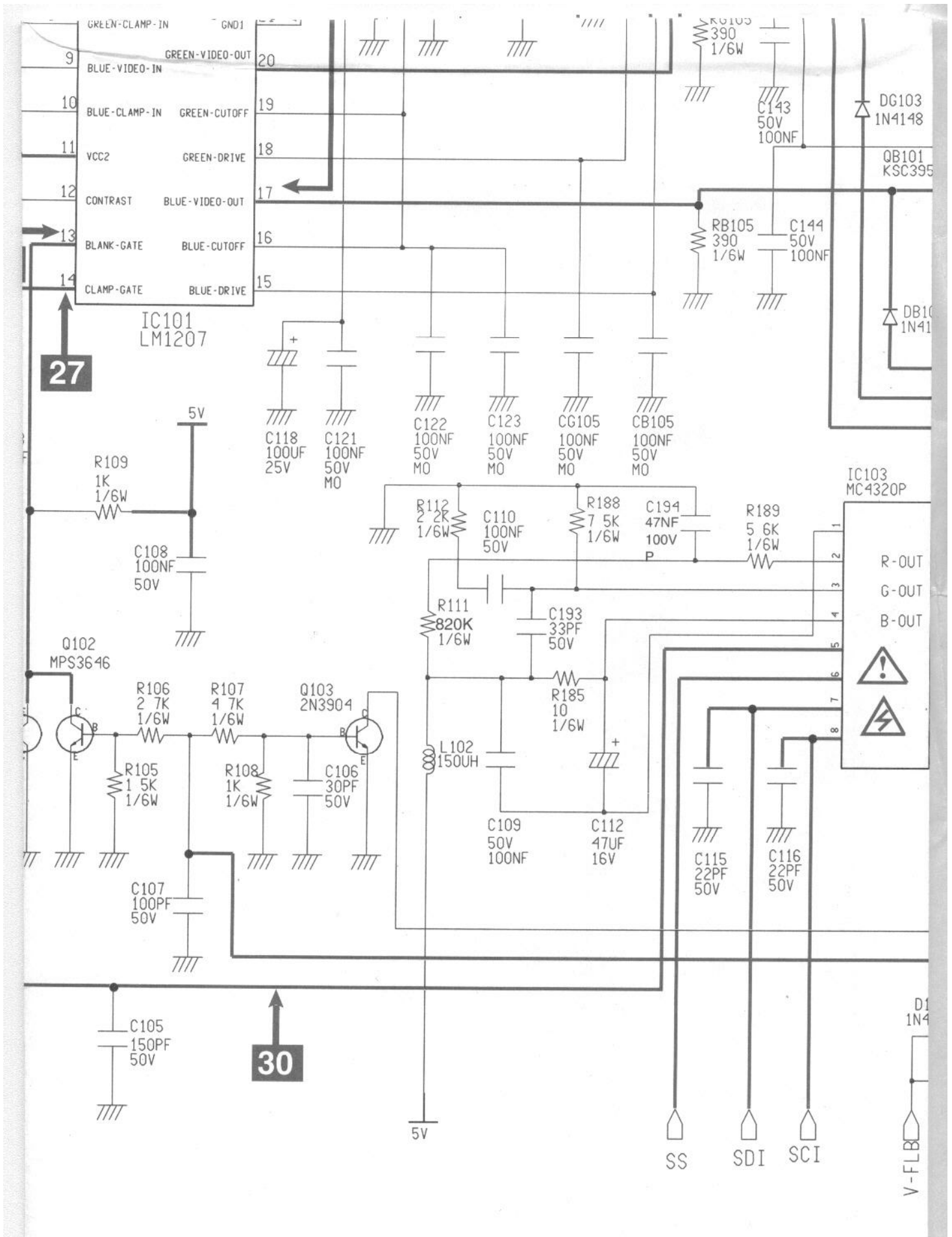


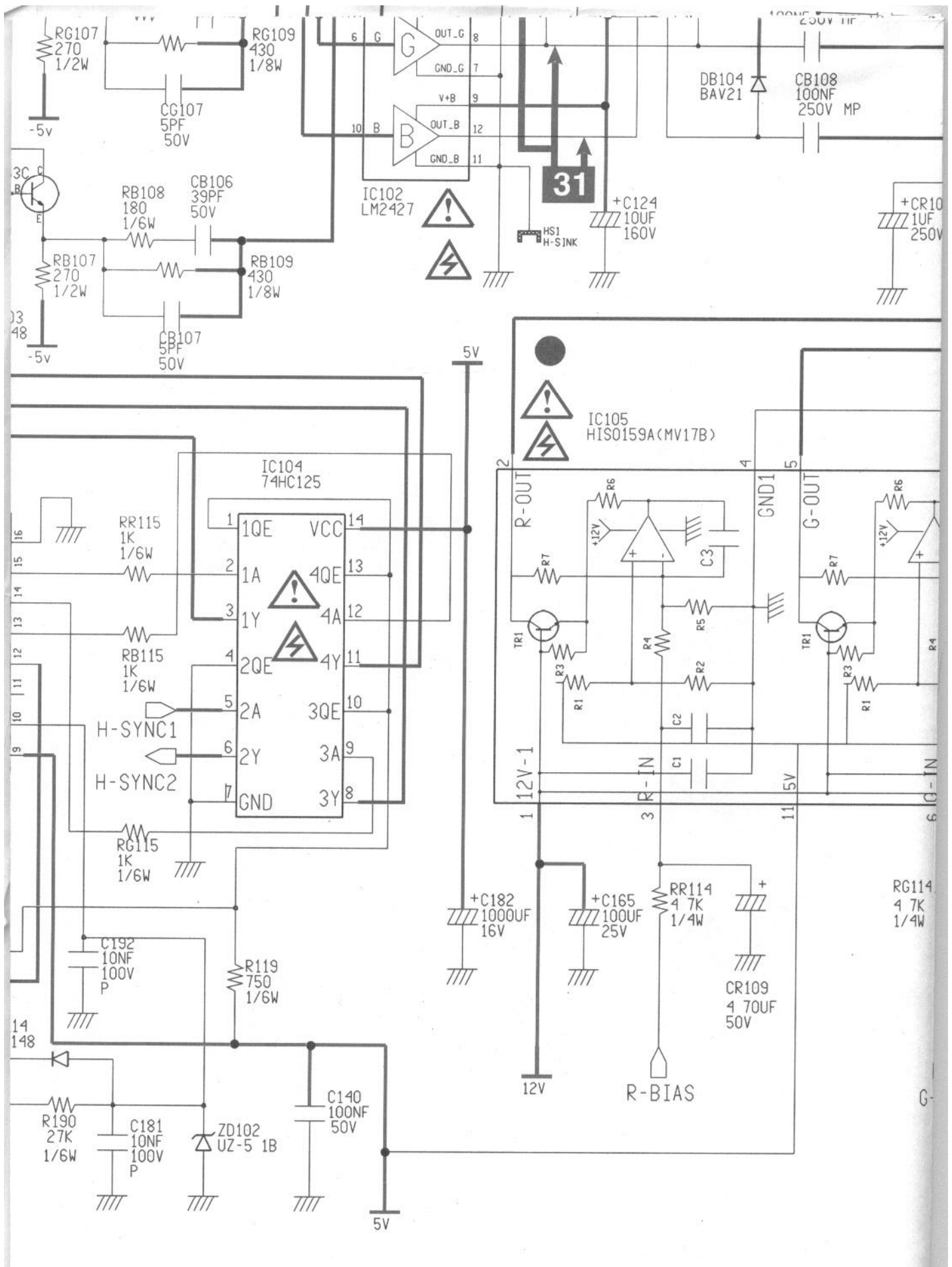
CONTENTS

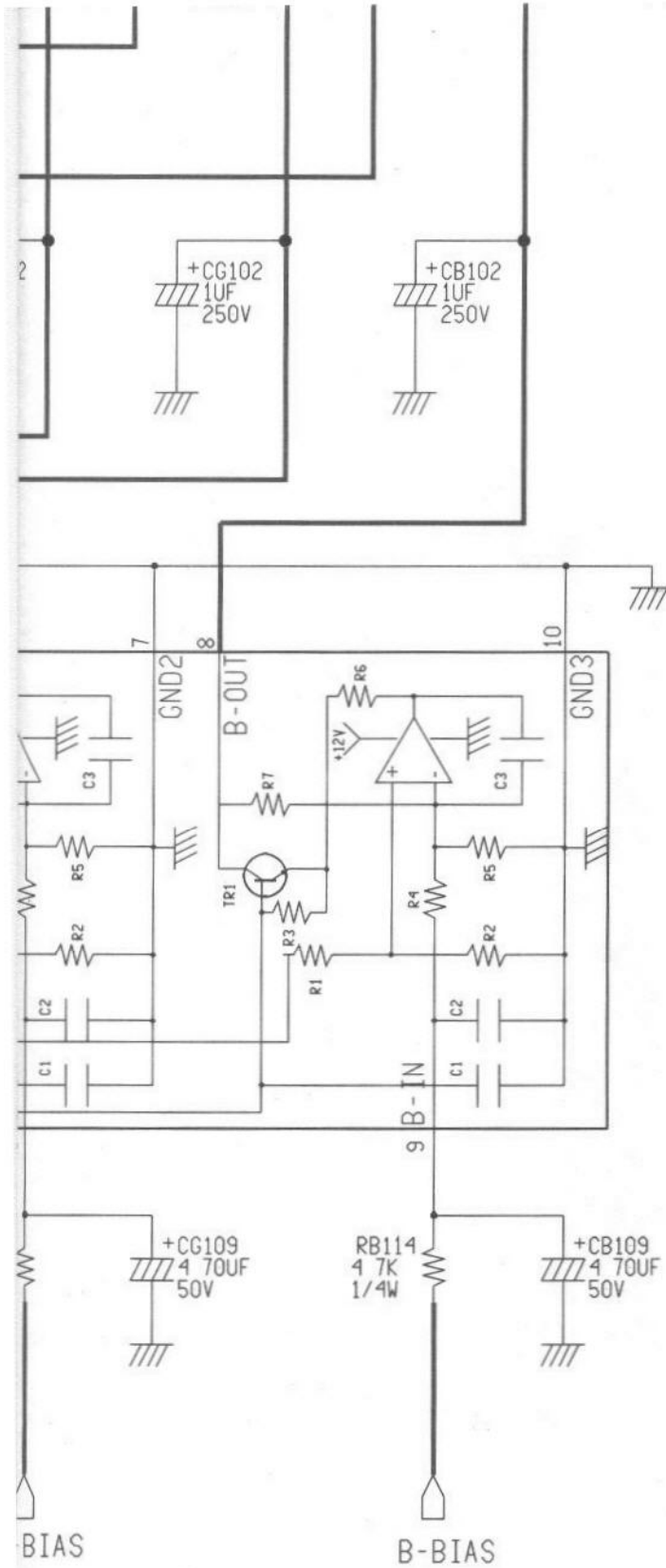
1. Precautions
2. Reference Information
3. Product Specifications
4. User Controls
5. Disassembly & Reassembly
6. Alignments & Adjustments
7. Troubleshooting
8. Exploded view & Parts List
9. Servicing Diagrams
 - 9-1. Block Diagram
 - 9-2. Wiring Diagram
 - 9-3. PCB Layout and Electrical Parts List
 - 9-4. Schematic Diagram





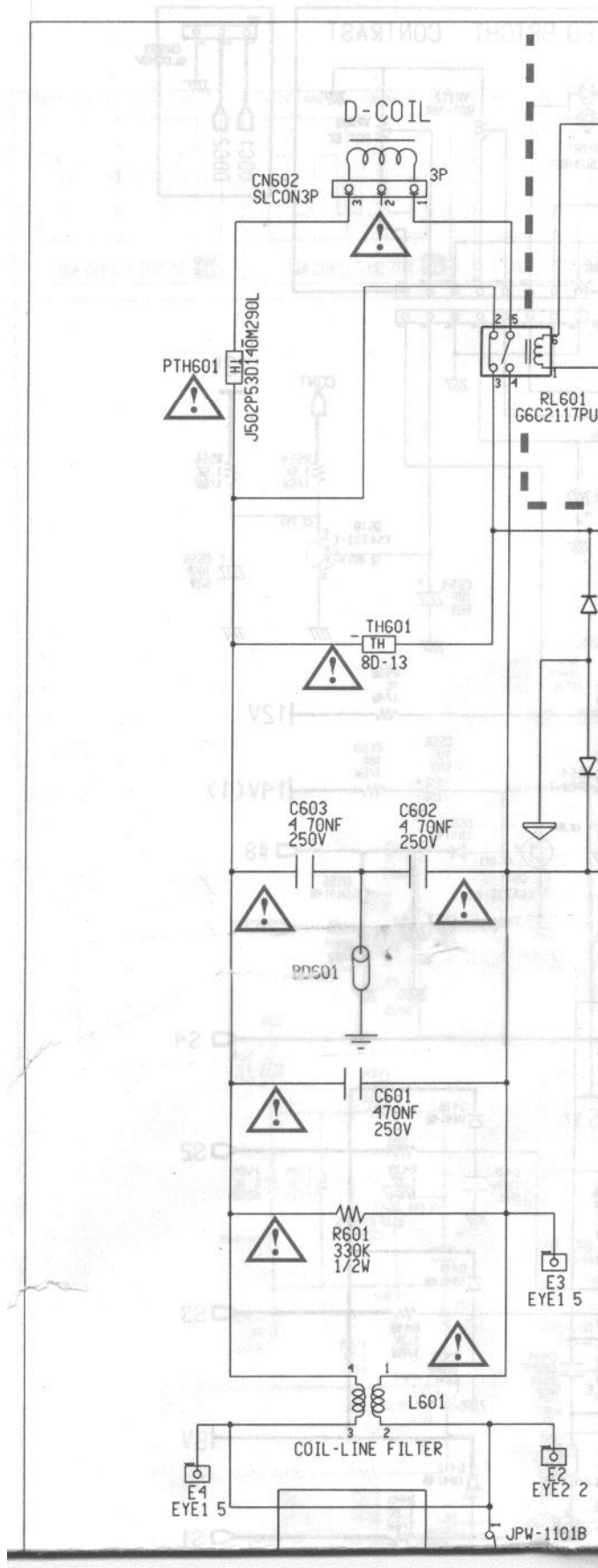


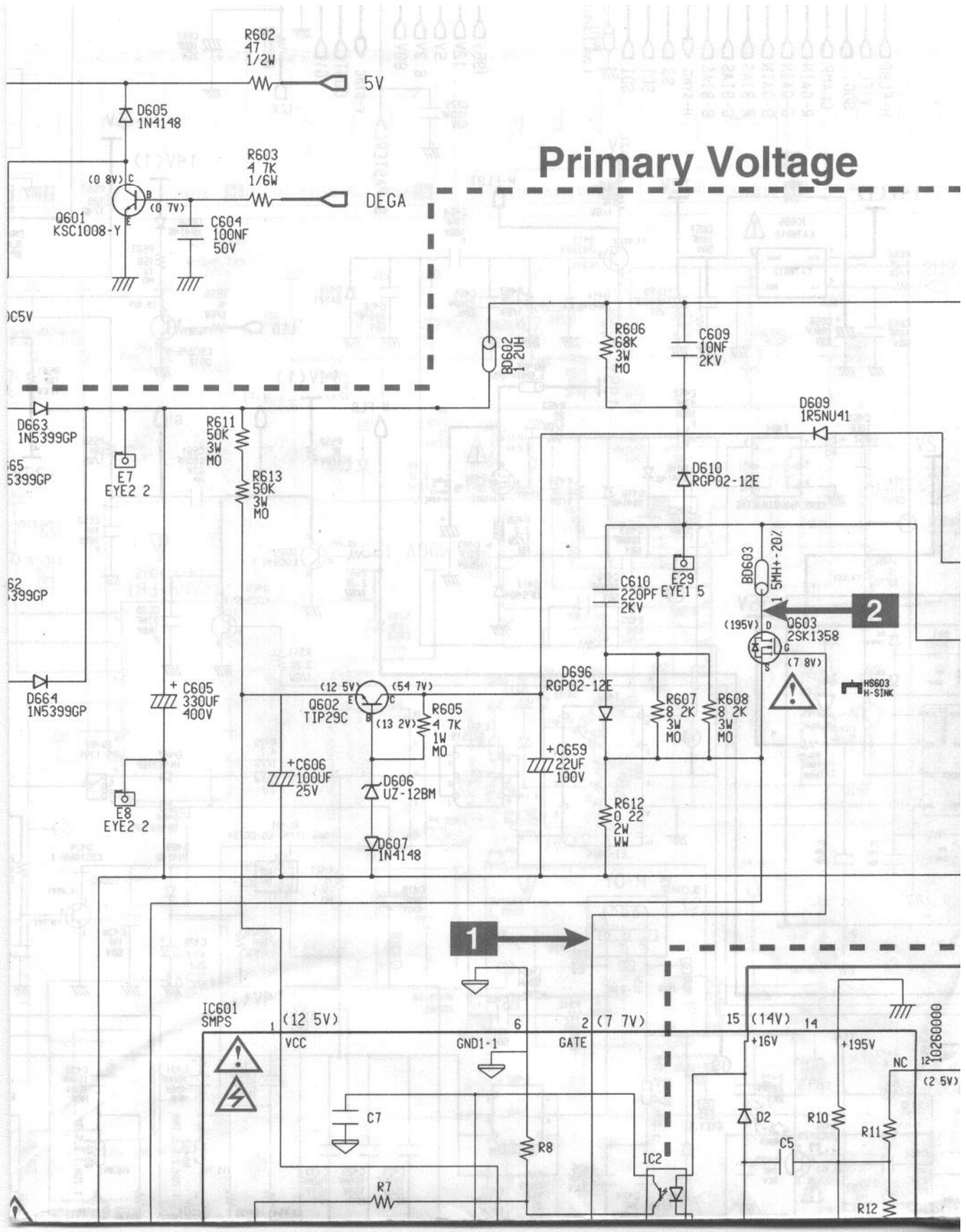




9-4 Schematic Diagram

9-4-1 Power Schematic Diagram and Waveforms

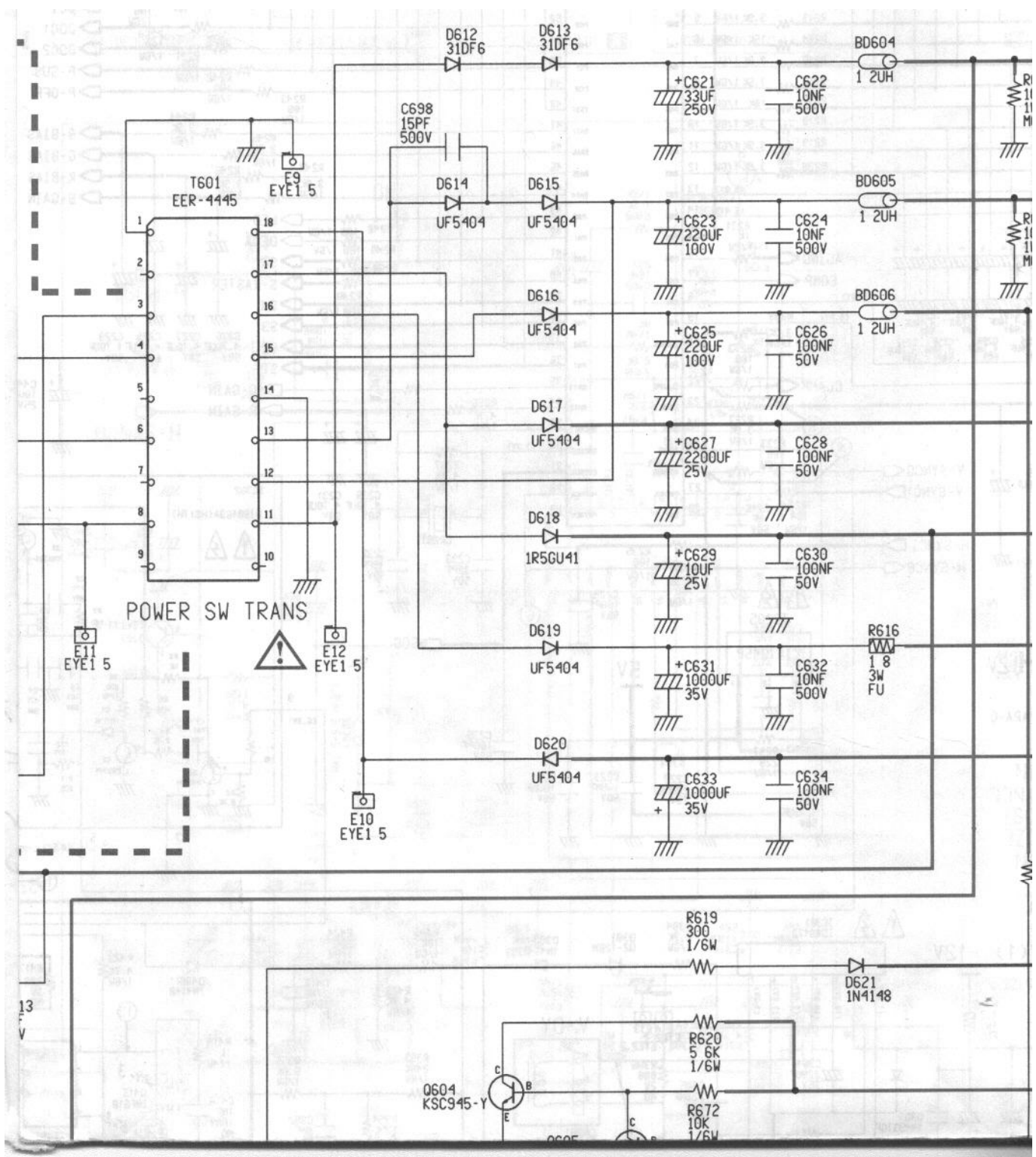


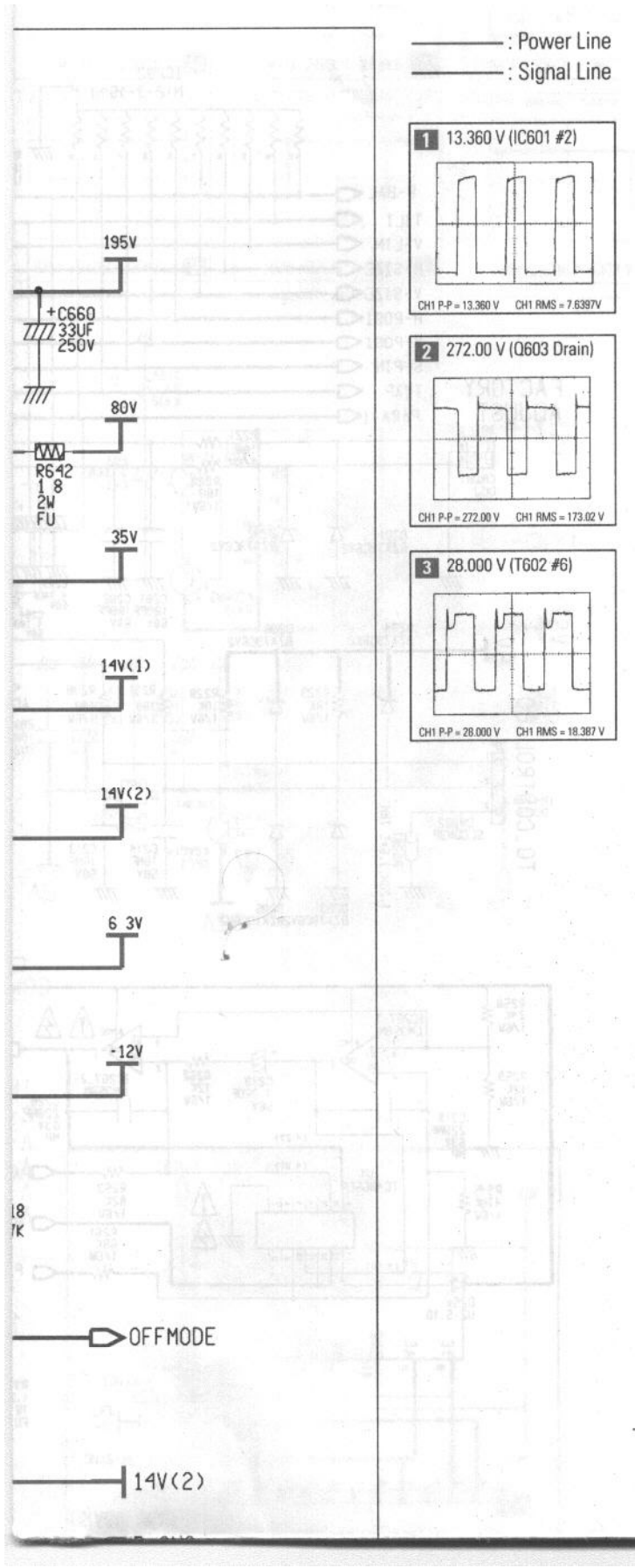


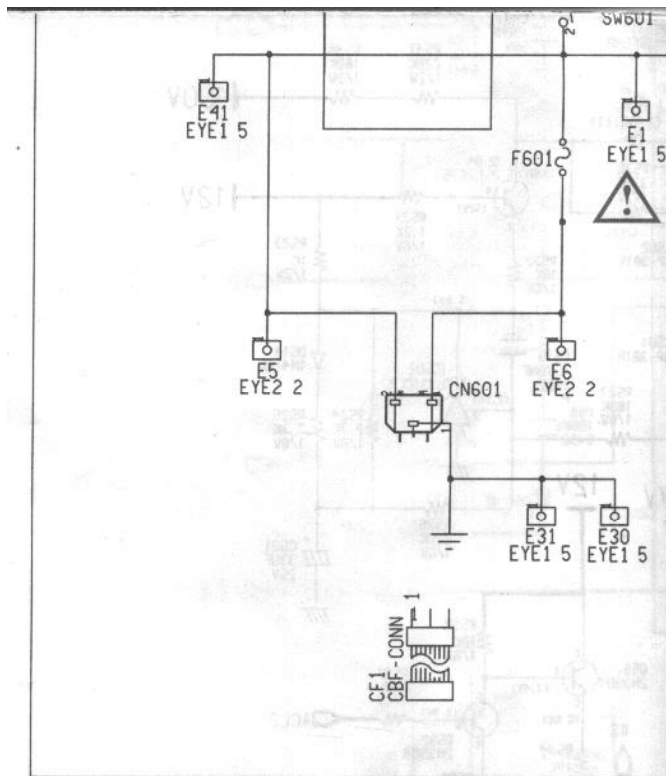
Primary Voltage

2

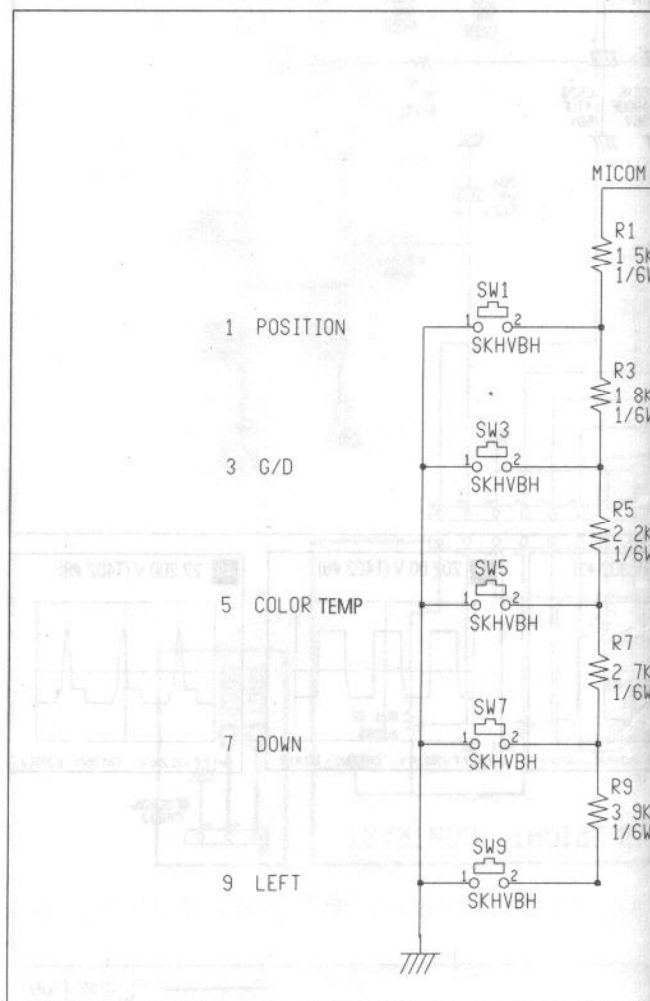
1

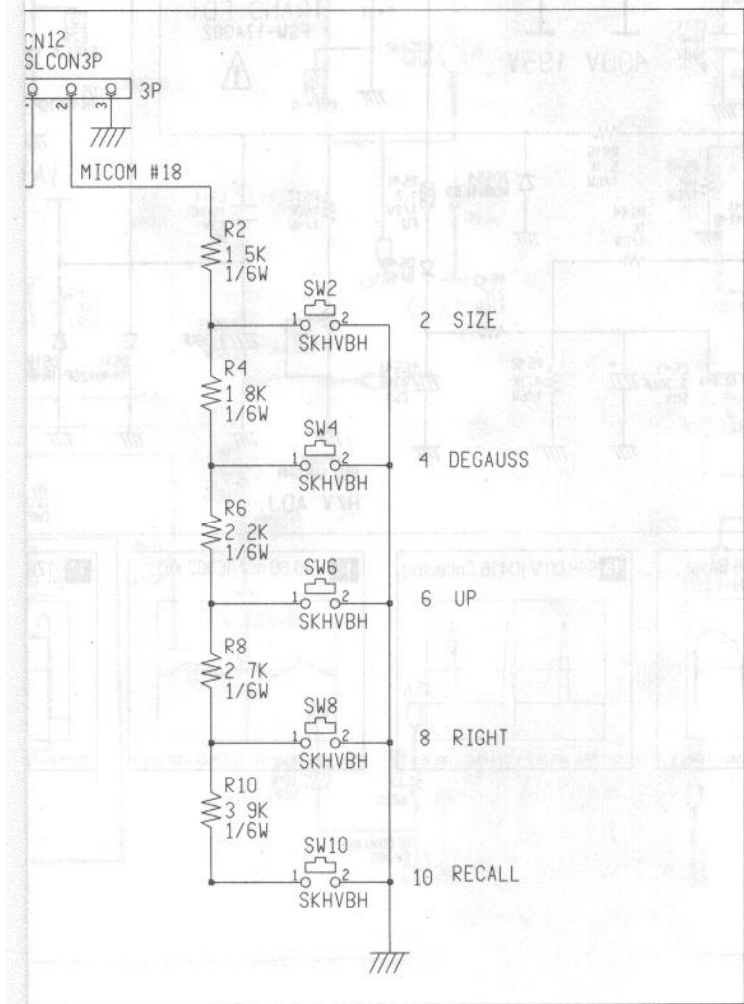
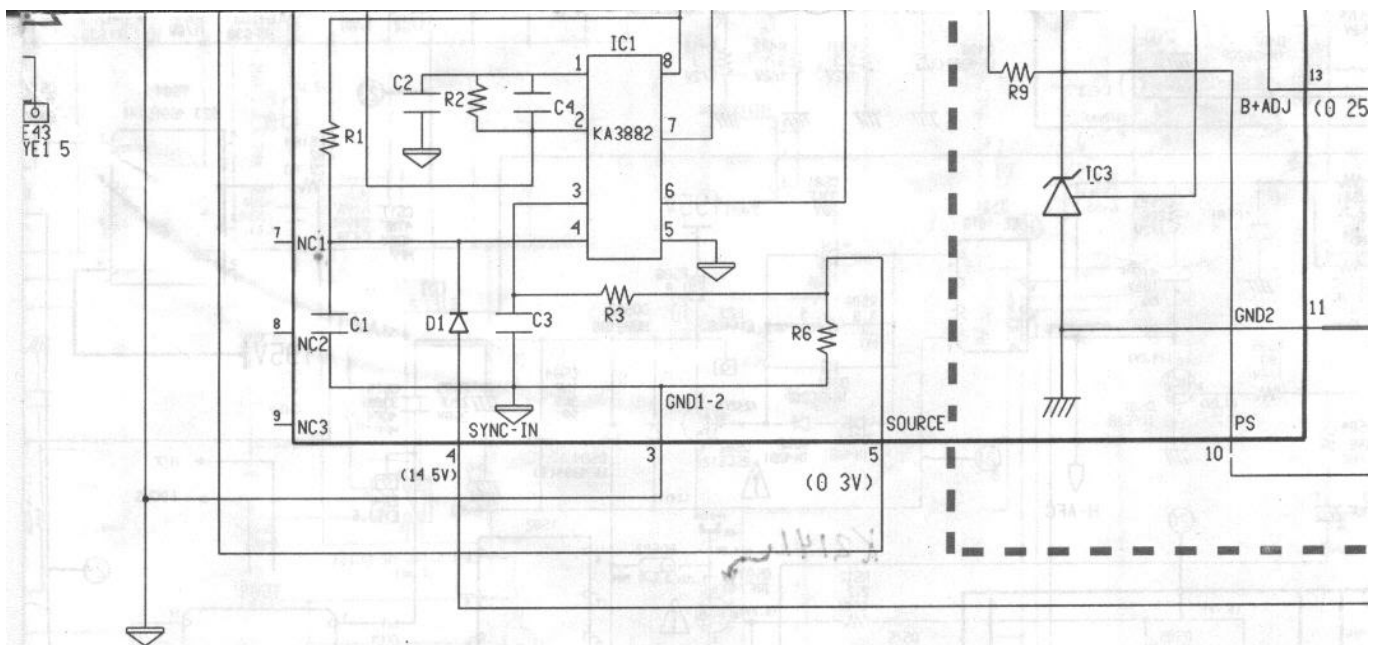


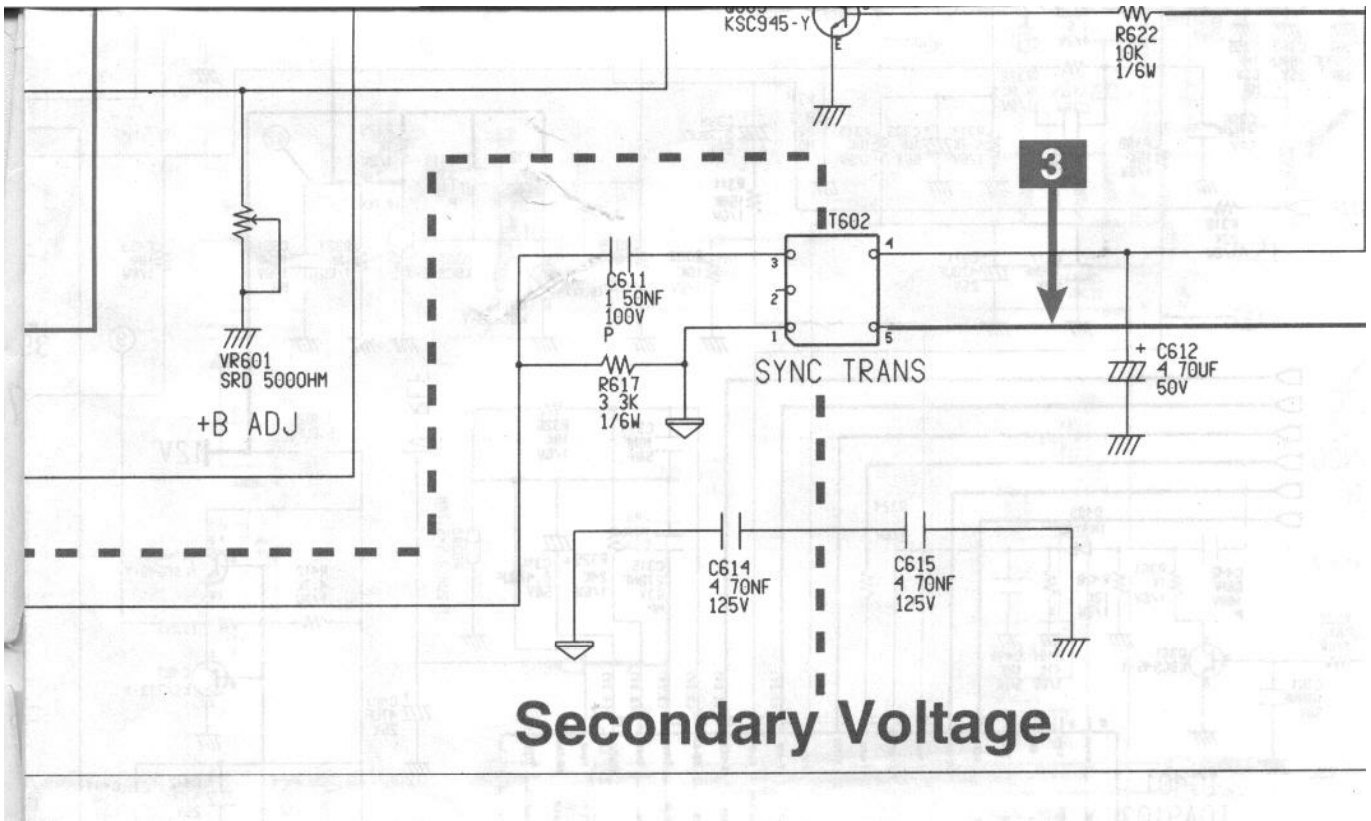




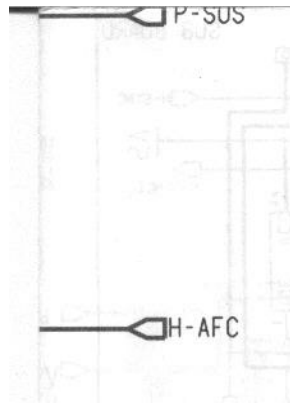
9-4-2 Control Panel Schematic Diagram







Sunday, March 09, 2003 (15).max



Sunday, March 09, 2003 (16).max